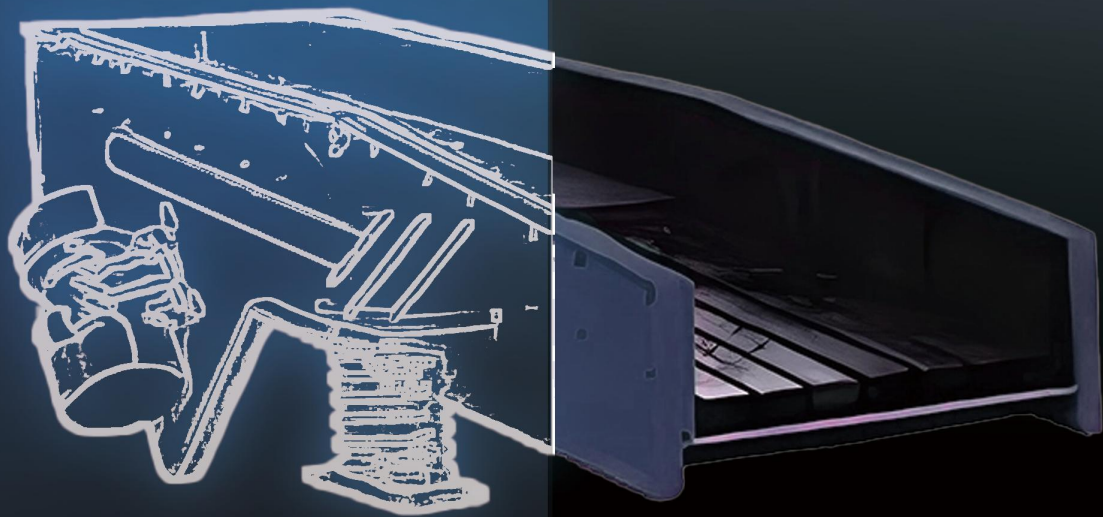




DING BO

GZD Vibrating Feeder

Capacity: 30-600t/h
Max. Input Size: 1000mm



Craftsmanship
Shape the reputation of trust



Features

1. This series of product have a great variety and can be customized for specific requirements.
2. All types of feeder can control the feeding material quantity automatically or by hand.
3. Smooth vibration, reliable work and longer service life.
4. Be able to adjust vibrating force, change and control the flow at any time with convenient and stable adjustment.
5. Use the vibrating motor to produce vibration force, low noise, low power consumption, excellent adjusting performance and no phenomenon of rushing materials.
6. Simple structure, reliable operation and convenient adjustment and installation.
7. Light in weight, small volume and convenient maintenance. Using the body of closed structure can prevent dust contamination.



Application

Metallurgical, coal, mineral processing, building materials, chemical engineering, grinding, etc.

Material

River stone, gravel, granite, basalt, minerals, quartz, diabase, etc.

GZT Series Vibrating Feeder adopts the vibrating motor to produce vibration force . It is used to feed material into the primary crusher homogeneously, meanwhile because of the bar-shaped screen, it can screen away soil contained in the raw material, increase the capacity of the primary crushing. It is suitable for feeding material into the primary crusher in hydropower field, building material and mining.







THE JAW CRUSHING RANGE

Model	Feeding Chute Size (mm)	Max. Feeding Size (mm)	Capacity (t/h)	Motor Power (kw)	Weight (kg)	Overall Dimension (mm)
GZD-750×2500	750×2500	300	50-80	3	1590	2580×1100×1400
GZD-850×3000	850×3000	400	80-120	2X2.2	3895	3110×1800×1600
GZD-960×3800	960×3800	500	120-210	11	3980	3850×1950×1630
GZD-1100×4200	1100×4200	580	200-430	15	4170	4400×2050×1660
GZD-1100×4900	1100×4900	580	280-500	15	4520	5200×2050×1700
GZD-1300×4900	1300×4900	650	450-600	22	5200	5200×2350×1750
GZD-1500×6000	1500×6000	800	500-700	30	8670	6082×2995×2095

Notice: Any change of PEW Jaw Crusher technical data shall not be advised additionally.



WORKING PRINCIPLE

GZT Series Grizzly Vibrating Feeders adopt two vibrating motor with the same capabilities to produce the vibrating force. When both of them make the motion of reverse rotation in the same angular velocity, the inertial force produced by eccentric block is offset and summed up. Thus the great exciting force compels the frame vibrating in the spring support, which drives the materials slide or tossed forward on the frame and achieves the aims of feeding. When the materials cross the grizzly fences, the small-sized materials are fallen through and achieve the effectiveness of sifting.



DING BO

Whatsapp:+8613817259661

E-mail:sales@dingbocrusher.net

Official website:<https://www.shdingbo.com>

Address:No.365, Chuanhong Road, Pudong New Area, Shanghai, China

