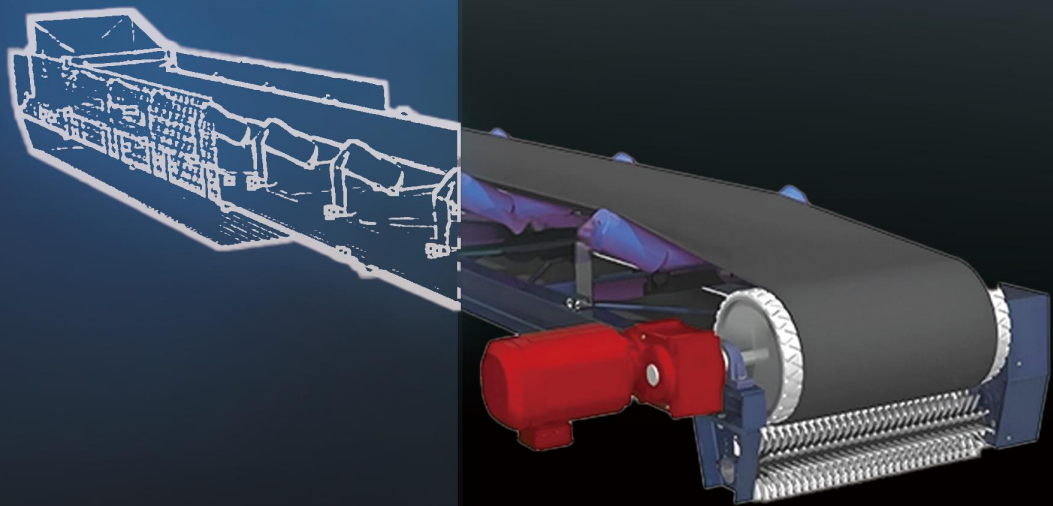




DING BO

B Belt Conveyor

Capacity:150-900t/h
Max. Input Size: 300mm



Craftsmanship
Shape the reputation of trust



Features

More Stable Structure

Belt Conveyor uses C-type steel and equips side guard board. The overall rigidity of Belt Conveyor's rack greatly increases.

Long-distance Headstock

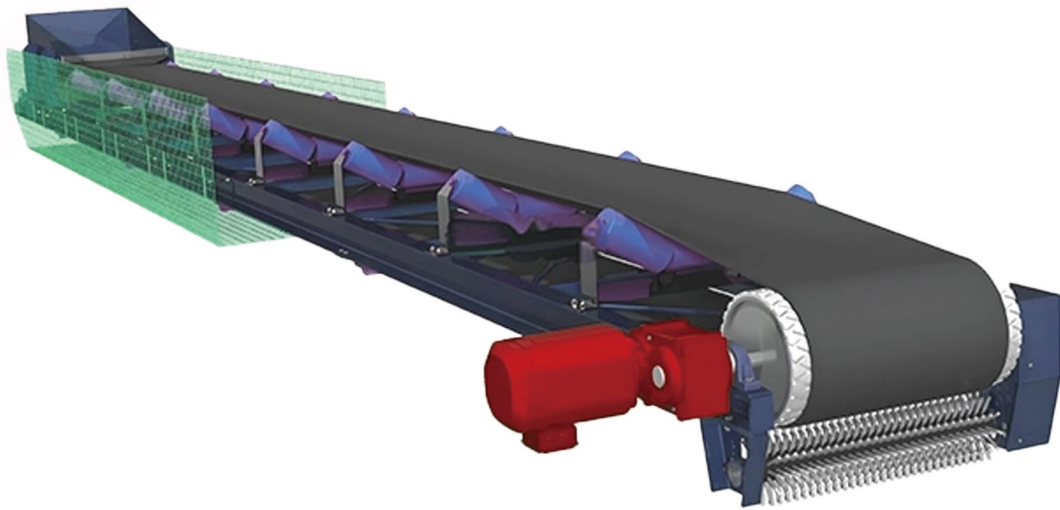
Belt Conveyor uses a long-distance headstock. The maximum radius of material pile is 1.5~2 times of that of traditional belt conveyors.

Higher Technical Grade

Dingbo adopts the cycloidal reducer with higher technical grade, which greatly enhances stability and is very convenient for maintenance and replacement.

More Convenient Installation

Belt Conveyor has simple structure. It's more convenient for installation and maintenance.



• **Application**

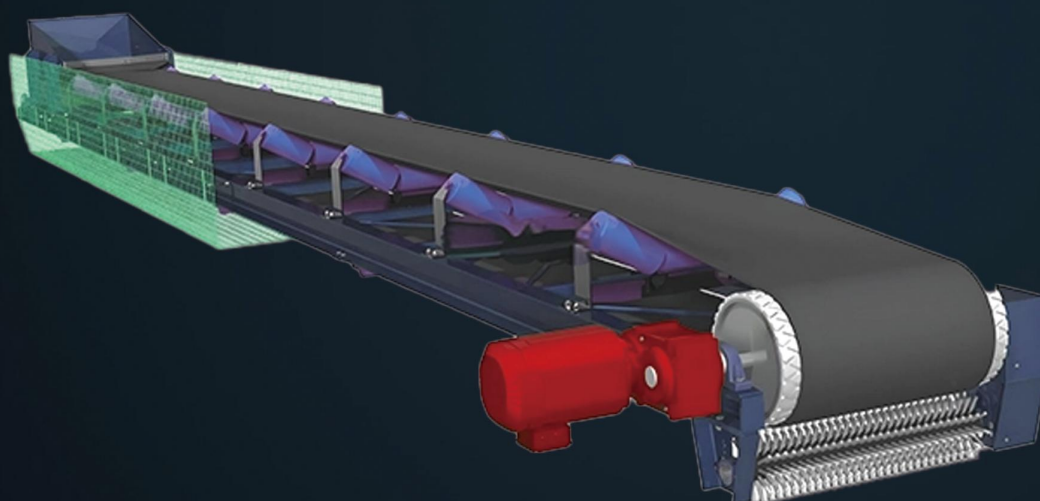
Popular among aggregates, highway construction, railway construction, airport building and some other industries.

Material

Most kinds of rocks, metallic ores, and other minerals, such as granite, marble, basalt, iron ore, copper ore, etc.

Dingbo Belt Conveyor is stable and compact and can be easily installed. It is an ideal upgrading and substitute product of traditional belt conveyors.







THE JAW CRUSHING RANGE

Model	Belt Width(mm)	Nominal Power(kw)	Conveyor Speed(m/s)	Capacity (t/h)
B400	400	<12m=2.2	0.8-2.0	40-80
		12m-19m=3		
		20m-25m=4		
B500	500	<12m=4	0.8-2.0	78-191
		12m-19m=5.5		
		20m-30m=7.5		
B650	650	<12m=4	0.8-2.0	131-323
		12m-19m=5.5		
		20m-30m=7.5		
B800	800	<10m=5.5	1.0-2.0	278-546
		10m-15m=7.5		
		16m-20m=11		
		21m-25m=15		
		26m-30m=18.5		
B1000	1000	<10m7.7	1.0-2.0	435-853
		10m-15m=11		
		16m-23m=15		
		24m-30m=22		
B1200	1200	<10m=11	1.0-2.0	650-1020
		10m-17m=15		
		18m-22m=18.5		
		23m-26m=22		
		27m-30m=30		
B1400	1400	/	1.2-2	760-1400

Notice: Any change of PEW Jaw Crusher technical data shall not be advised additionally.



WORKING PRINCIPLE

A B Belt Conveyor uses a conveying belt to hold and transport materials. The conveying belt winds around the transmission drum and the tension drum to form a loop strap. Its upper and lower part are supported by a carrier roller which can limit the deflection sag of the conveying belt. The tension device provides necessary tension for the normal operation of the conveying belt. During operation, the drive device drives the transmission drum, and then the conveying belt starts working under the friction between the transmission drum and the conveying belt. When the conveying belt is running, materials on the belt can move with it together thereby.



DING BO

Whatsapp:+8613817259661

E-mail:sales@dingbocrusher.net

Official website:<https://www.shdingbo.com>

Address:No.365, Chuanhong Road, Pudong New Area, Shanghai, China

