



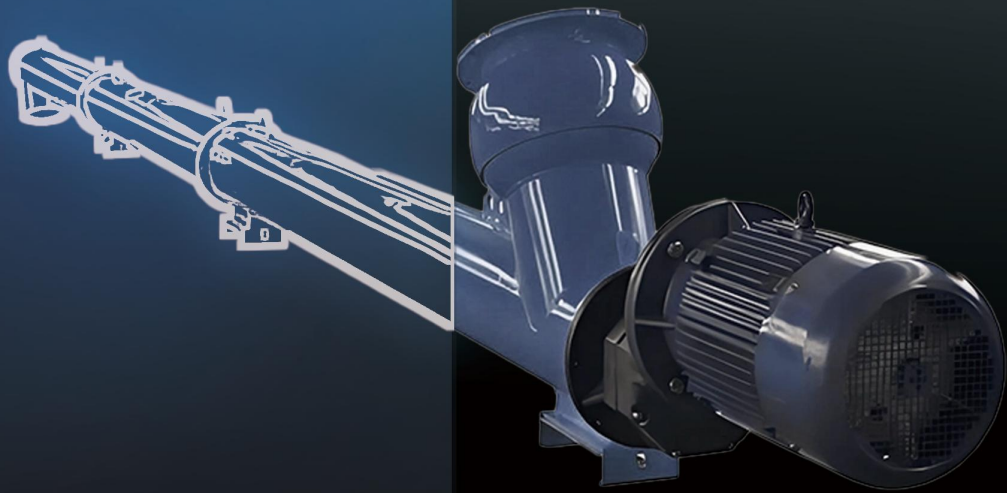
DING BO

# LS Screw Conveyor

---

Capacity: 2-18m<sup>3</sup>/h  
Max. Input Size: 250mm

---



Craftsmanship  
Shape the reputation of trust



### **Application**

Concrete batching plant, Chemical, Building, Food, Metallurgy and so on.

### **Material**

mainly used to transport various powdery, granular and small block materials, such as cement, fly ash, lime, ore, sand and other building materials, salts, fertilizers and other chemicals, as well as coal and coke , ore and other bulk cargo.

The screw conveyor is reliable, durable, adaptable, easy to install. It is suitable for conveying the powder, granular, and block materials (temperature <200) such as coal powder.







# THE JAW CRUSHING RANGE

Specification model		LS100	LS160	LS200	LS250	LS315	LS400	LS500	LS630
Spiral diameter	D (mm)	100	160	200	250	315	400	500	630
pitch	P (mm)	100	160	200	250	315	355	400	450
Conveying capacity	n (r/min)	140	112	100	90	80	71	63	50
	Q (m <sup>3</sup> /h)	2.2	7	13	22	31	62	98	140
	n (r/min)	112	90	80	71	63	56	50	40
	Q (m <sup>3</sup> /h)	1.7	6	10	18	24	49	78	112
	n (r/min)	90	71	63	56	50	45	40	32
	Q (m <sup>3</sup> /h)	1.4	5	8	14	19	39	62	90
	n (r/min)	71	50	50	45	40	36	32	25
	Q (m <sup>3</sup> /h)	1.1	3.1	6.2	11	15.4	31	50	77

**Notice:** Any change of PEW Jaw Crusher technical data shall not be advised additionally.



# WORKING PRINCIPLE

By adopting sliding bearing, dustproof sealed device and slide block, that make screw conveyor easy to install and maintain. When the screw shaft rotates, rotary spiral vane pushes materials continuously moving forward in closed housing.



DING BO

Whatsapp:+8613817259661

E-mail:sales@dingbocrusher.net

Official website:<https://www.shdingbo.com>

Address:No.365, Chuanhong Road, Pudong New Area, Shanghai, China

